

KEILHAUER
Spec Sheet

Syz



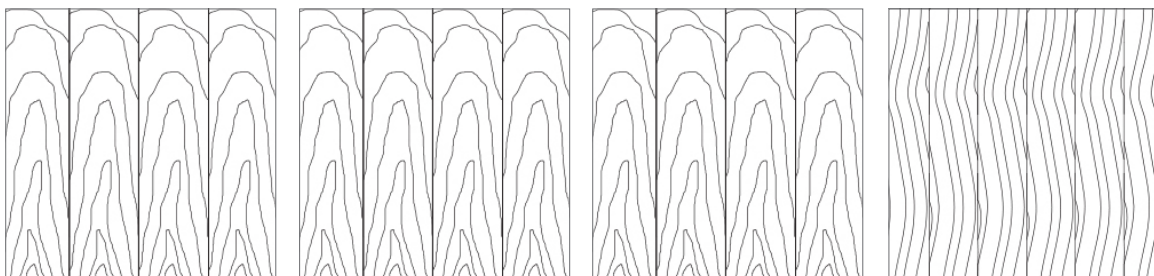
Table Top



Features

- Tops are offered in plastic laminate, wood veneer, and quartz.
- Laminate and veneer tops are made with an MDF core.
- Wood veneers are available in maple, walnut, cherry and oak in 2 edge details: straight veneer edge (VS) or a reverse bevel, solid wood edge (VB).
- Laminate tops come standard with a reverse bevel, vinyl edge (LB). Bevel underside edge is black.
- Quartz tops have a straight edge.
- The wood veneers are applied with the grain running the length of the top.
- Special finishes and sizes are available on request; contact your local sales rep or customer service for a quote.
- Tabletops for the Square 72", Round 72", and Round 84" models come in two separate connecting halves.

Veneers are applied as follows:



Cherry - Flat Cut

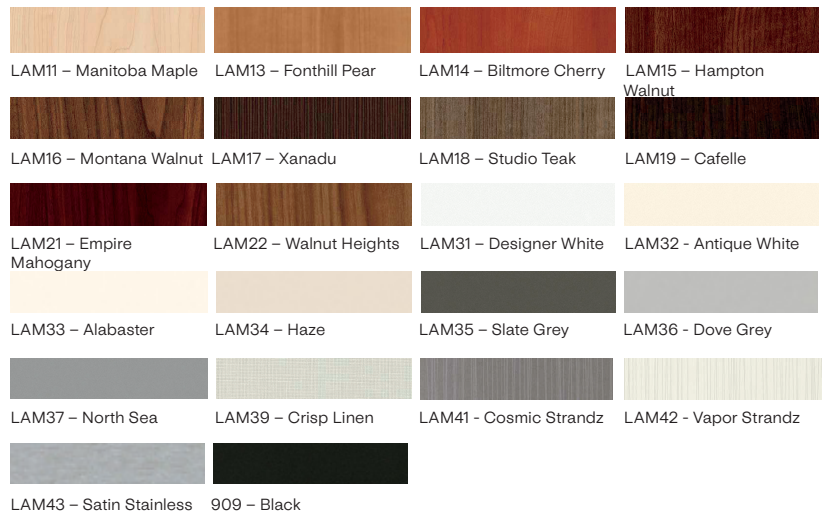
Walnut - Flat Cut

Maple - Flat Cut

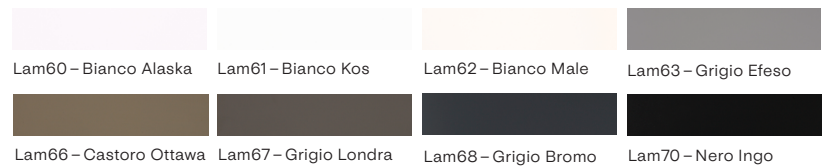
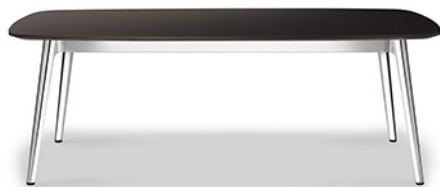
Oak - Rift Cut

Finishes

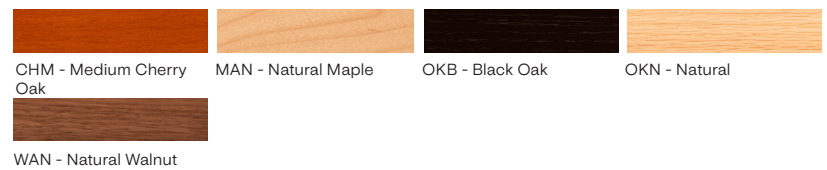
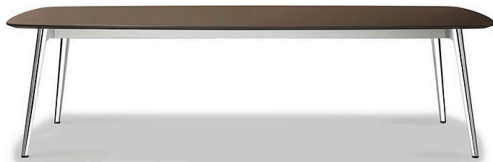
Standard Laminate



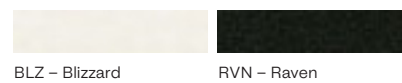
Matte Laminate



Veneer



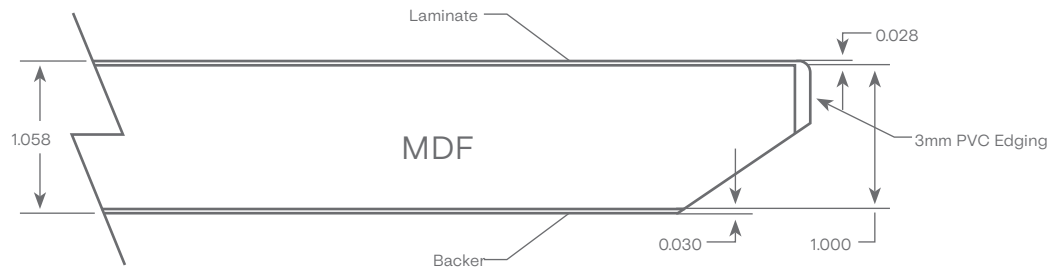
Quartz



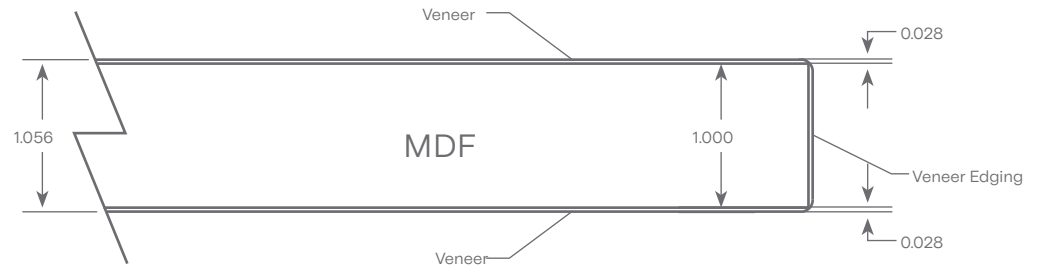
Edge Detail



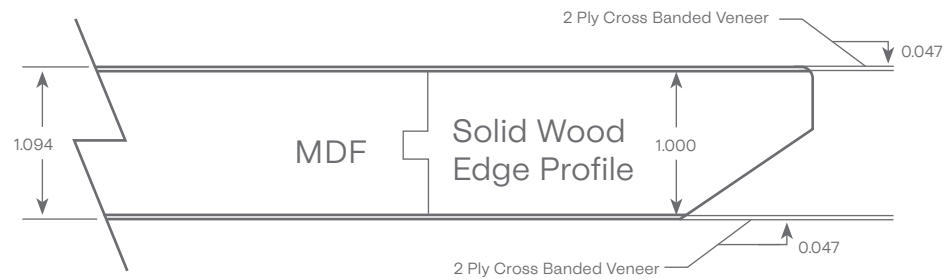
- LB**
- Laminate Top
 - Vinyl Edge
 - Reverse Bevel



- VS**
- Veneer Top
 - Straight Veneer Edge



- VB**
- Veneer Top
 - Reverse Bevel
 - Solid Wood Edge



- Q**
- Quartz Top
 - Straight Edge

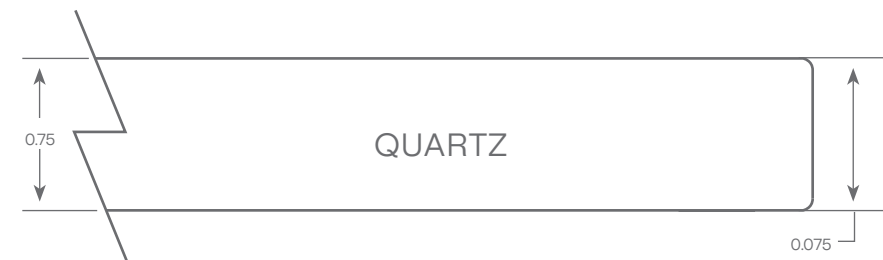


Table Base



Features

- The Syz conference table features a polished aluminum leg connected to an aluminum extrusion.
- All of the tables in the range feature 4 legs combined with the extrusions.
- The extrusion is a 2.75 inch frame that flows continuously under the table.
- The legs have a height leveling adjustable glide with a range of 1 inch to accommodate uneven flooring. Glides are made of nylon with a steel insert.
- The legs are available in 2 heights: lounge meeting and conference.
- The understructure (legs and extrusions) is available in polished aluminum as standard. There are 4 powder coat colors available for an upcharge.
- The understructure has been designed to easily accept our wire management conduit and requires a black PET mesh wire carrier to connect the wiring from the conduit to the floor.

Finishes

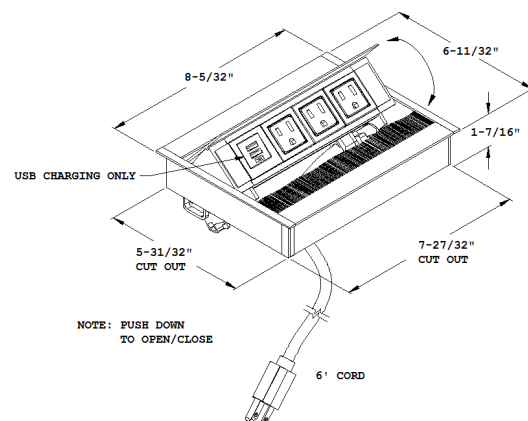


Power



Features

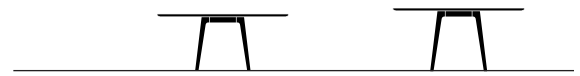
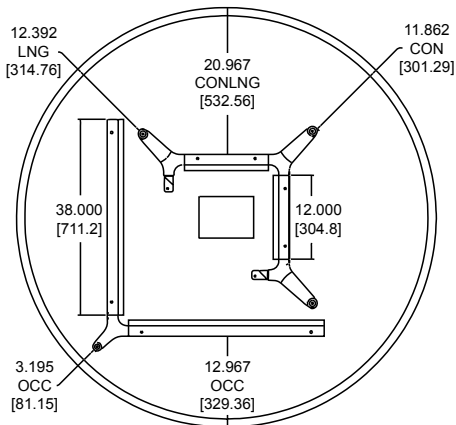
- All tables are available with an optional power source.
- Our power source has 4 slots; standard configuration is 3 power outlets and 2 USB slots.
- Data and HDMI slots are available on request and we can configure the 4 slots to your specifications. Please consult customer service if this is required. Additional upcharges and lead times may be required for these special requests.
- The power supply is corded. The power cord is 6 feet in length as standard for one power source. Where there are 2 sources in the larger tables it may be necessary to use one 6 foot length and one 10 foot length cord depending on where the power connects to the floor. Please specify drop location when ordering so that we may include the appropriate cord lengths.



- The unique pop up unit incorporates a brush liner into the design for wire pass through, keeping cables from falling through, as well as maintaining a streamlined appearance.
- Standard finish of the power unit is satin aluminum with black power/USB units and black brush. Plugs are accessed by gently pushing on the front end of the unit and the spring loaded lid pops up at an angle with a flat face for easy access to the 3 electrical outlets and the USB modules. It clicks closed for a clean and low profile aesthetic.
- Cables are run under the table top via a wire management conduit that is connected to the understructure of the table. The cables are connected to the floor via a black PET mesh wire carrier.

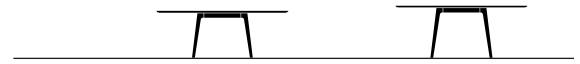
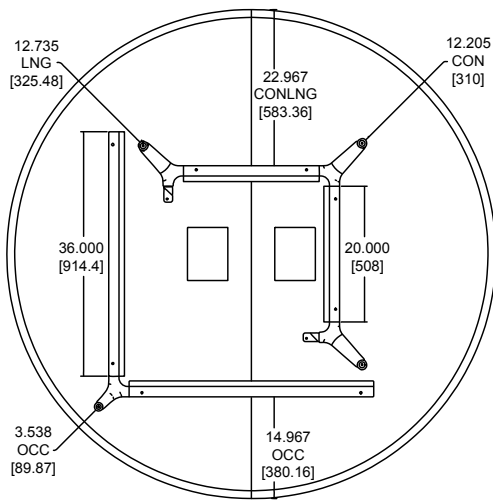
Dimensions + Features

ROUND 60"



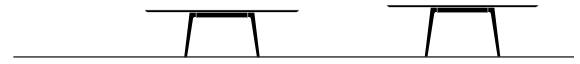
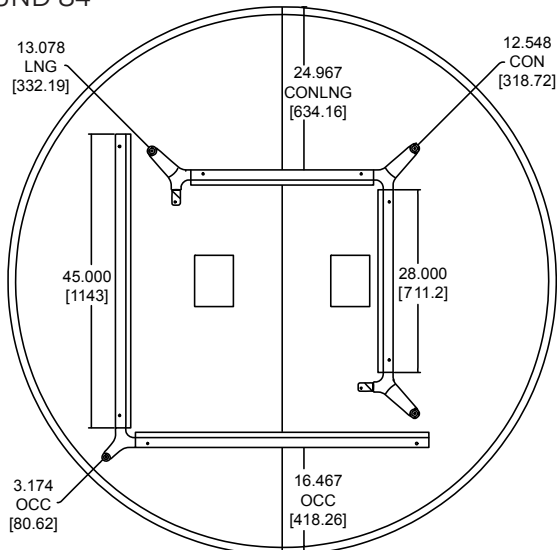
	LOUNGE	CONFERENCE
MODEL No.	#10512	#10513
WIDTH	60"	60"
DEPTH	60"	60"
HEIGHT	26"	29"
BASE W	25.25"	26"
BASE D	25.25"	26"
OVERHANG W	21"	21"
OVERHANG D	21"	21"
CABLE EXTRUSION L	14.75"	14.75"
CORD L	6'	6'
# OF POWER UNITS	1	1
TABLE WEIGHT (LAM/VENEER)	60 kg	77 kg
TABLE WEIGHT (QUARTZ)	118 kg	135 kg

ROUND 72"



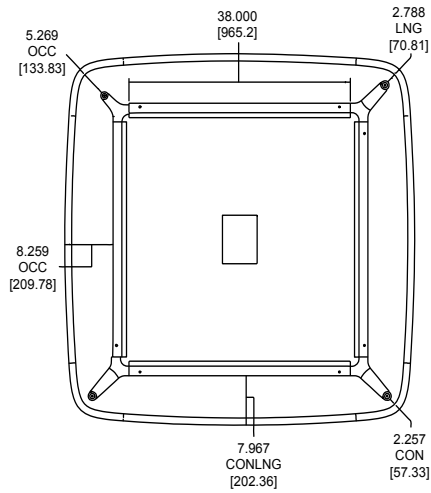
	LOUNGE	CONFERENCE
MODEL No.	#10522	#10523
WIDTH	72"	72"
DEPTH	72"	72"
HEIGHT	26"	29"
BASE W	33.25"	34"
BASE D	33.25"	34"
OVERHANG W	23"	23"
OVERHANG D	23"	23"
CABLE EXTRUSION L	22.75"	22.75"
CORD L	6' + 10'	6' + 10'
# OF POWER UNITS	2	2
TABLE WEIGHT (LAM/VENEER)	77 kg	94 kg
TABLE WEIGHT (QUARTZ)	161 kg	178 kg

ROUND 84"



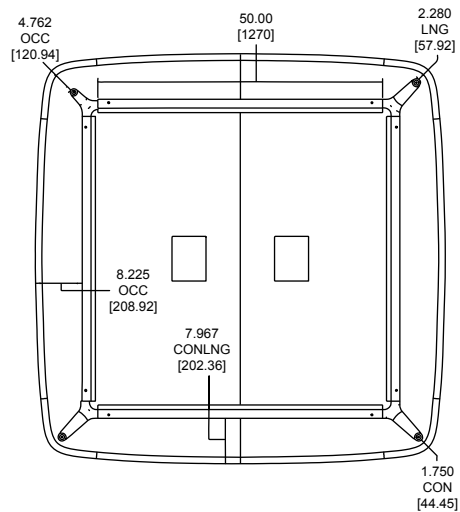
	LOUNGE	CONFERENCE
MODEL No.	#10532	#10533
WIDTH	84"	84"
DEPTH	84"	84"
HEIGHT	26"	29"
BASE W	41.25"	42"
BASE D	41.25"	42"
OVERHANG W	27"	25"
OVERHANG D	27"	25"
CABLE EXTRUSION L	30.75"	30.75"
CORD L	6' + 10'	6' + 10'
# OF POWER UNITS	2	2
TABLE WEIGHT (LAM/VENEER)	95 kg	114 kg
TABLE WEIGHT (QUARTZ)	209 kg	228 kg

SQUARE 60"



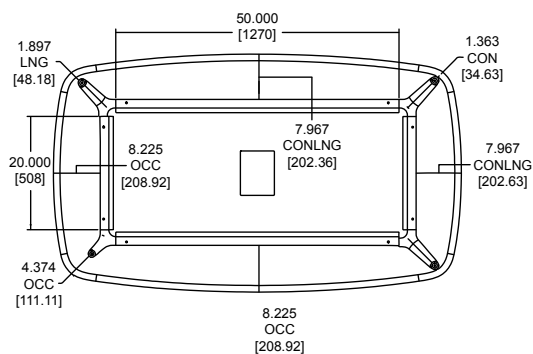
	LOUNGE	CONFERENCE
MODEL No.	#10412	#10413
WIDTH	60"	60"
DEPTH	60"	60"
HEIGHT	26"	29"
BASE W	51.25"	52"
BASE D	51.25"	52"
OVERHANG W	8"	8"
OVERHANG D	8"	8"
CABLE EXTRUSION L	40.75"	40.75"
CORD L	6'	6'
# OF POWER UNITS	1	1
TABLE WEIGHT (LAM/VENEER)	72 kg	88 kg
TABLE WEIGHT (QUARTZ)	146 kg	163 kg

SQUARE 72"



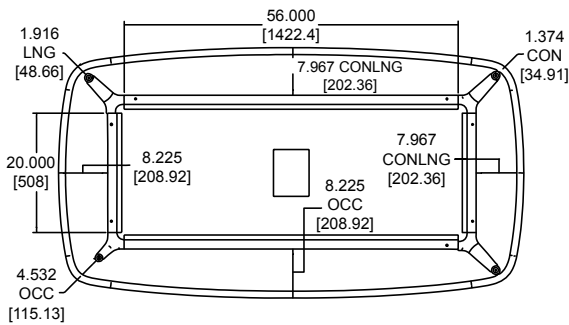
	LOUNGE	CONFERENCE
MODEL No.	#10422	#10423
WIDTH	72"	72"
DEPTH	72"	72"
HEIGHT	26"	29"
BASE W	63.25"	64"
BASE D	63.25"	64"
OVERHANG W	8"	8"
OVERHANG D	8"	8"
CABLE EXTRUSION L	52.75"	52.75"
CORD L	6' + 10'	6' + 10'
# OF POWER UNITS	2	2
TABLE WEIGHT (LAM/VENEER)	95 kg	123 kg
TABLE WEIGHT (QUARTZ)	201 kg	210 kg

RECTANGLE 72x42"



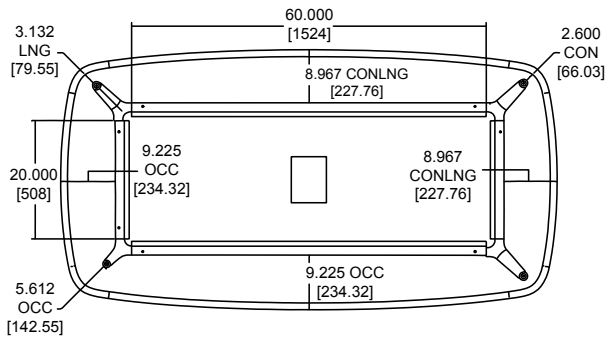
	LOUNGE	CONFERENCE
MODEL No.	#10602	#10603
WIDTH	72"	72"
DEPTH	42"	42"
HEIGHT	26"	29"
BASE W	63.25"	64"
BASE D	33.25"	34"
OVERHANG W	8"	8"
OVERHANG D	8"	8"
CABLE EXTRUSION L	22.75"	22.75"
CORD L	6'	6'
# OF POWER UNITS	1	1
TABLE WEIGHT (LAM/VENEER)	64 kg	80 kg
TABLE WEIGHT (QUARTZ)	126 kg	142 kg

RECTANGLE 78x42"



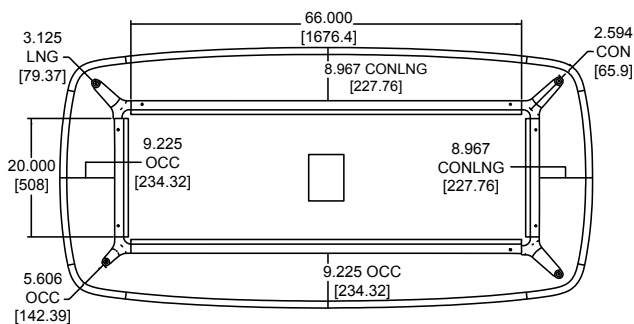
	LOUNGE	CONFERENCE
MODEL No.	#10612	#10613
WIDTH	78"	78"
DEPTH	42"	42"
HEIGHT	26"	29"
BASE W	69.25"	70"
BASE D	33.25"	34"
OVERHANG W	8"	8"
OVERHANG D	8"	8"
CABLE EXTRUSION L	22.75"	22.75"
CORD L	6'	6'
# OF POWER UNITS	1	1
TABLE WEIGHT (LAM/VENEER)	67 kg	85 kg
TABLE WEIGHT (QUARTZ)	135 kg	152 kg

RECTANGLE 84x44"



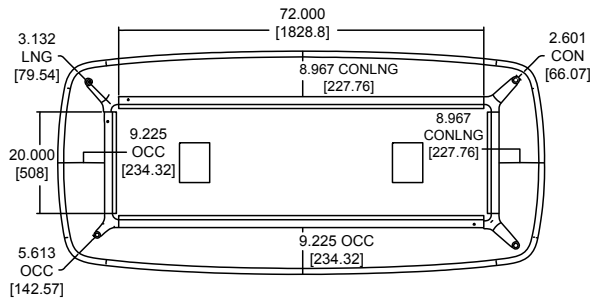
	LOUNGE	CONFERENCE
MODEL No.	#10622	#10623
WIDTH	84"	84"
DEPTH	44"	44"
HEIGHT	26"	29"
BASE W	73.25"	74"
BASE D	33.25"	34"
OVERHANG W	9"	9"
OVERHANG D	9"	9"
CABLE EXTRUSION L	22.75"	22.75"
CORD L	6'	6'
# OF POWER UNITS	1	1
TABLE WEIGHT (LAM/VENEER)	72 kg	90 kg
TABLE WEIGHT (QUARTZ)	148 kg	166 kg

RECTANGLE 90x44"



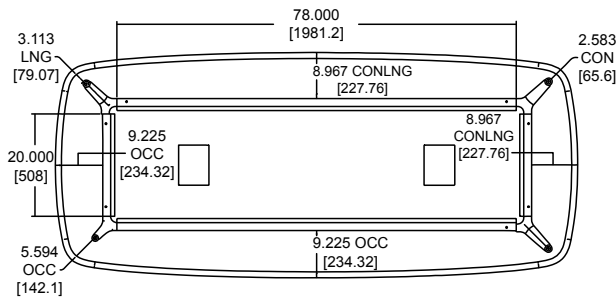
	LOUNGE	CONFERENCE
MODEL No.	#10632	#10633
WIDTH	90"	90"
DEPTH	44"	44"
HEIGHT	26"	29"
BASE W	79.25"	80"
BASE D	33.25"	34"
OVERHANG W	9"	9"
OVERHANG D	9"	9"
CABLE EXTRUSION L	22.75"	22.75"
CORD L	6'	6'
# OF POWER UNITS	1	1
TABLE WEIGHT (LAM/VENEER)	77 kg	94 kg
TABLE WEIGHT (QUARTZ)	159 kg	176 kg

RECTANGLE 96x44"



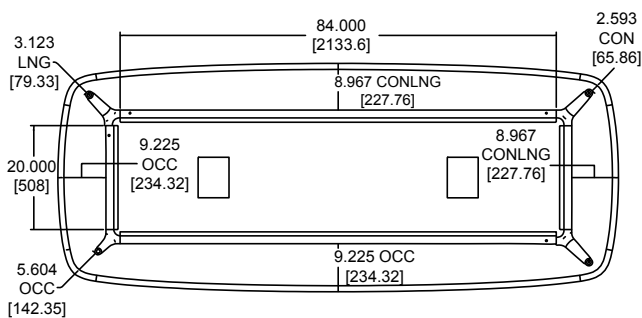
	LOUNGE	CONFERENCE
MODEL No.	#10642	#10643
WIDTH	96"	96"
DEPTH	44"	44"
HEIGHT	26"	29"
BASE W	85.25"	86"
BASE D	33.25"	34"
OVERHANG W	9"	9"
OVERHANG D	9"	9"
CABLE EXTRUSION L	74.75"	74.75"
CORD L	6' + 10'	6' + 10'
# OF POWER UNITS	2	2
TABLE WEIGHT (LAM/VENEER)	81 kg	101 kg
TABLE WEIGHT (QUARTZ)	168 kg	188 kg

RECTANGLE 102x44"



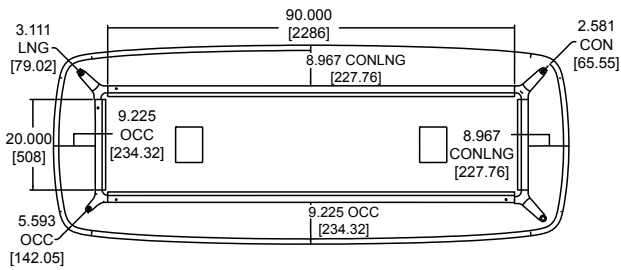
	LOUNGE	CONFERENCE
MODEL No.	#10652	#10653
WIDTH	102"	102"
DEPTH	44"	44"
HEIGHT	26"	29"
BASE W	91.25"	92"
BASE D	33.25"	34"
OVERHANG W	9"	9"
OVERHANG D	9"	9"
CABLE EXTRUSION L	80.75"	80.75"
CORD L	6' + 10'	6' + 10'
# OF POWER UNITS	2	2
TABLE WEIGHT (LAM/VENEER)	87 kg	106 kg
TABLE WEIGHT (QUARTZ)	180 kg	199 kg

RECTANGLE 108x44"



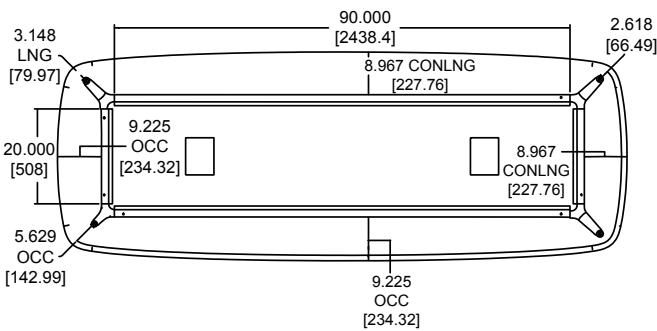
	LOUNGE	CONFERENCE
MODEL No.	#10662	#10663
WIDTH	108"	108"
DEPTH	44"	44"
HEIGHT	26"	29"
BASE W	97.25"	98"
BASE D	33.25"	34"
OVERHANG W	9"	9"
OVERHANG D	9"	9"
CABLE EXTRUSION L	86.75"	86.75"
CORD L	6' + 10'	6' + 10'
# OF POWER UNITS	2	2
TABLE WEIGHT (LAM/VENEER)	108 kg	125 kg
TABLE WEIGHT (QUARTZ)	206 kg	223 kg

RECTANGLE 114x44"



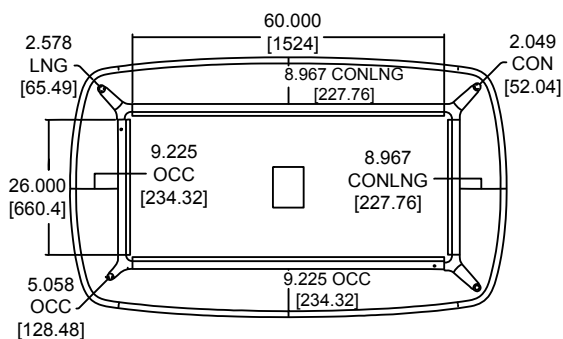
	LOUNGE	CONFERENCE
MODEL No.	#10672	#10673
WIDTH	114"	114"
DEPTH	44"	44"
HEIGHT	26"	29"
BASE W	103.25"	104"
BASE D	33.25"	34"
OVERHANG W	9"	9"
OVERHANG D	9"	9"
CABLE EXTRUSION L	92.75"	92.75"
CORD L	6' + 10'	6' + 10'
# OF POWER UNITS	2	2
TABLE WEIGHT (LAM/VENEER)	115 kg	132 kg
TABLE WEIGHT (QUARTZ)	218 kg	235 kg

RECTANGLE 120x44"



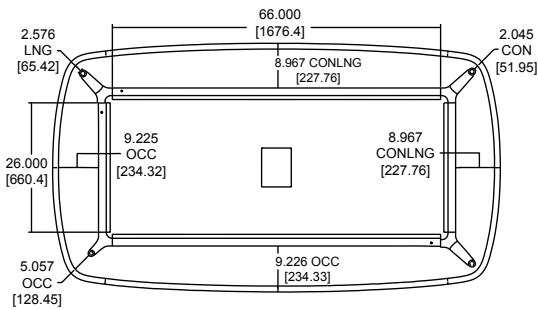
	LOUNGE	CONFERENCE
MODEL No.	#10682	#10683
WIDTH	120"	120"
DEPTH	44"	44"
HEIGHT	26"	29"
BASE W	109.25"	110"
BASE D	33.25"	34"
OVERHANG W	9"	9"
OVERHANG D	9"	9"
CABLE EXTRUSION L	98.75"	98.75"
CORD L	6' + 10'	6' + 10'
# OF POWER UNITS	2	2
TABLE WEIGHT (LAM/VENEER)	121 kg	138 kg
TABLE WEIGHT (QUARTZ)	230 kg	247 kg

RECTANGLE 84x50"



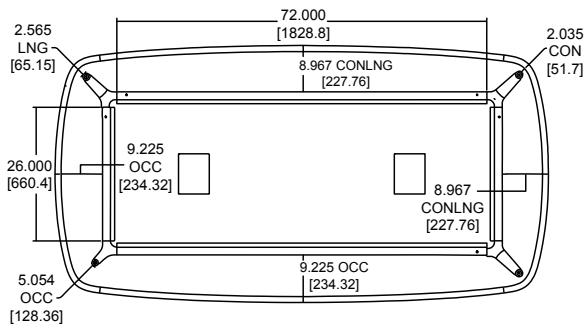
	LOUNGE	CONFERENCE
MODEL No.	#10722	#10723
WIDTH	84"	84"
DEPTH	50"	50"
HEIGHT	26"	29"
BASE W	73.25"	74"
BASE D	39.25"	40"
OVERHANG W	9"	9"
OVERHANG D	9"	9"
CABLE EXTRUSION L	28.75"	28.75"
CORD L	6' + 10'	6' + 10'
# OF POWER UNITS	2	2
TABLE WEIGHT (LAM/VENEER)	94 kg	111 kg
TABLE WEIGHT (QUARTZ)	181 kg	198 kg

RECTANGLE 90x50"



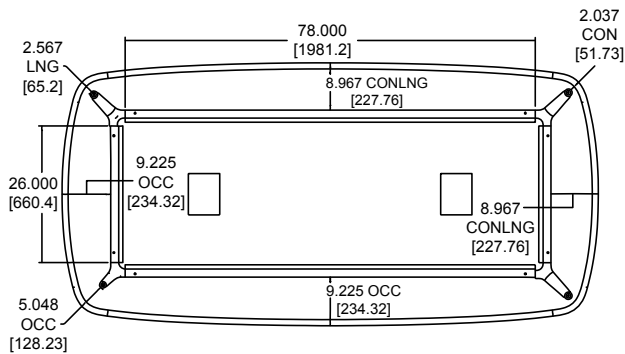
	LOUNGE	CONFERENCE
MODEL No.	#10732	#10733
WIDTH	90"	90"
DEPTH	50"	50"
HEIGHT	26"	29"
BASE W	79.25"	104"
BASE D	39.25"	40"
OVERHANG W	9"	9"
OVERHANG D	9"	9"
CABLE EXTRUSION L	28.75"	28.75"
CORD L	6'	6'
# OF POWER UNITS	1	1
TABLE WEIGHT (LAM/VENEER)	99 kg	116 kg
TABLE WEIGHT (QUARTZ)	192 kg	209 kg

RECTANGLE 96x50"



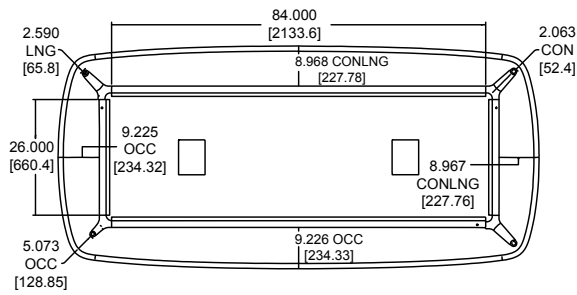
	LOUNGE	CONFERENCE
MODEL No.	#10742	#10743
WIDTH	96"	96"
DEPTH	50"	50"
HEIGHT	26"	29"
BASE W	85.25"	86"
BASE D	39.25"	40"
OVERHANG W	9"	9"
OVERHANG D	9"	9"
CABLE EXTRUSION L	74.75"	74.75"
CORD L	6' + 10'	6' + 10'
# OF POWER UNITS	2	2
TABLE WEIGHT (LAM/VENEER)	105 kg	126 kg
TABLE WEIGHT (QUARTZ)	205 kg	225 kg

RECTANGLE 102x50"



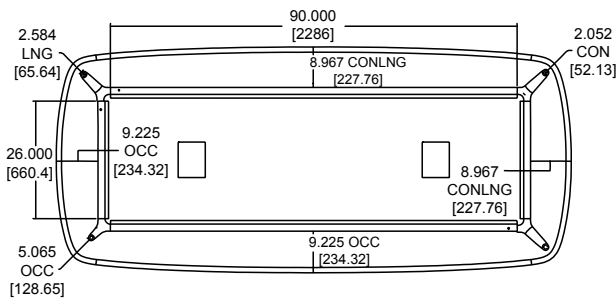
	LOUNGE	CONFERENCE
MODEL No.	#10752	#10753
WIDTH	102"	102"
DEPTH	50"	50"
HEIGHT	26"	29"
BASE W	91.25"	92"
BASE D	39.25"	40"
OVERHANG W	9"	9"
OVERHANG D	9"	9"
CABLE EXTRUSION L	80.75"	80.75"
CORD L	6' + 10'	6' + 10'
# OF POWER UNITS	2	2
TABLE WEIGHT (LAM/VENEER)	113 kg	130 kg
TABLE WEIGHT (QUARTZ)	219 kg	236 kg

RECTANGLE 108x50"



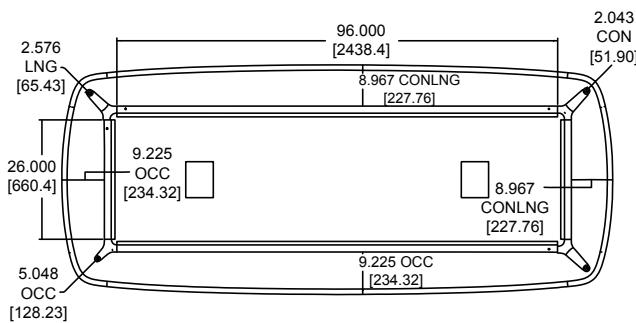
	LOUNGE	CONFERENCE
MODEL No.	#10762	#10763
WIDTH	108"	108"
DEPTH	50"	50"
HEIGHT	26"	29"
BASE W	97.25"	98"
BASE D	39.25"	40"
OVERHANG W	9"	9"
OVERHANG D	9"	9"
CABLE EXTRUSION L	86.75"	86.75"
CORD L	6' + 10'	6' + 10'
# OF POWER UNITS	2	2
TABLE WEIGHT (LAM/VENEER)	120 kg	248 kg
TABLE WEIGHT (QUARTZ)	231 kg	248 kg

RECTANGLE 114x50"



	LOUNGE	CONFERENCE
MODEL No.	#10772	#10773
WIDTH	114"	114"
DEPTH	50"	50"
HEIGHT	26"	29"
BASE W	103.25"	104"
BASE D	39.25"	40"
OVERHANG W	9"	9"
OVERHANG D	9"	9"
CABLE EXTRUSION L	92.75"	92.75"
CORD L	6' + 10'	6' + 10'
# OF POWER UNITS	2	2
TABLE WEIGHT (LAM/VENEER)	124 kg	142 kg
TABLE WEIGHT (QUARTZ)	242 kg	259 kg

RECTANGLE 120x50"



	LOUNGE	CONFERENCE
MODEL No.	#10782	#10783
WIDTH	120"	120"
DEPTH	50"	50"
HEIGHT	26"	29"
BASE W	109.25"	110"
BASE D	39.25"	40"
OVERHANG W	9"	9"
OVERHANG D	9"	9"
CABLE EXTRUSION L	98.75"	98.75"
CORD L	6' + 10'	6' + 10'
# OF POWER UNITS	2	2
TABLE WEIGHT (LAM/VENEER)	128 kg	148 kg
TABLE WEIGHT (QUARTZ)	252 kg	272 kg

Terms and Conditions

Wood Finishes

All of our veneers are carefully selected for uniformity of color and grain; however, wood is a natural substance and minor variations may occur due to the unique nature of the material and therefore may not be an exact match to our samples.

Wood may also have color variations within a single piece of furniture, and variations from one piece to the next. Light finishes do not hide or mask these natural characteristics and it is important to understand that these variations exist. There are other factors that also affect color over time, such as exposure to light.

The finishes on our tables may vary slightly from those on seating due to the natural characteristics of the wood.

Special Finishes

Keilhauer will make every effort to accommodate special veneer finish requests from our customers. These requests are subject to a coloration charge as well as an upcharge. Additional lead times may be required. Please contact customer service for pricing on special finishes. Finish orders will not be acknowledged until the special finish is approved in writing and received by customer service.

ANSI/BIFMA

Keilhauer products are tested to meet or exceed ANSI/BIFMA standards.

Packaging

Due to the handling requirements of large table tops, the Syz collection of tables will always be crated. There will be a net cartoning charge per table.

Please contact customer service for further information.

Cartoning Dimensions & Weight

MODEL No.	WIDTH	DEPTH	WEIGHT (LBS)
#10412 #10413 #10512 #10513	60"	62"	195
#10422 #10423 #10522 #10523	72"	74"	215
#10532 #10533	84"	86"	265
#10602 #10603	72"	42"	135
#10612 #10613	78"	42"	135
#10622 #10623	84"	44"	150
#10632 #10633	90"	44"	170
#10642 #10643	96"	44"	175
#10652 #10653	102"	44"	195
#10662 #10663	108"	44"	195
#10672 #10673	114"	44"	215
#10682 #10683	120"	44"	235
#10722 #10723	84"	50"	185
#10732 #10733	90"	50"	185
#10742 #10743	96"	50"	205
#10752 #10753	102"	50"	225
#10762 #10763	108"	50"	235
#10772 #10773	114"	50"	245
#10782 #10783	120"	50"	260